

## PART - B

1. The bidders are required to submit this part only for the tendering purpose.
2. It will be assumed that bidders who have submitted Part – B , have read Part – A carefully and agreed to all terms and conditions mentioned therein.
3. Bidders should fill up the **Schedule Of Quantities And Rates** given herewith. The rates are to be given in figures while the total amount must be given in both figure and words.
4. Signature with official stamps should be put at places where required.
5. A covering letter in given format in **Annx 4** in the official letterhead of the bidder to be submitted with the documents.
6. Documents as mentioned in clause 1 should also be submitted .
7. The quotation, complete in all respect, should be submitted latest by 12.00 pm. on July 21, 2017 (Friday). Tenders will be opened at 03.00 pm on July 24, 2017.
8. Incomplete quotations shall be rejected and shall not be considered for the bidding process
9. JBNSTS reserves the right to cancel any or all quotations without assigning any reason.

Director, JBNSTS

## Schedule Of Quantities And Rates

**Submitted by :**

**Address :**

**Tel no. :**

Sr. No.	Item Name	Item Specification (L X B X H)	Material Specification	No. of Unit (pcs)	Rate / Unit (Rs.)	Total Price (Rs.)
1.	Laboratory table	60" X 30" X 35"	To be made of minimum 1 mm MS steel sheet (powder coated). Fitted with drawers, cabinets , racks, electrical points etc. Details as given in <b>Annx 1</b>	2		
2.	L – shape laboratory table	(87" + 95") X 30" X 36"	To be made of minimum 1 mm MS steel sheet (powder coated). Fitted with drawers, cabinets , racks, electrical points etc. Details as given in <b>Annx 2</b>	1		
3.	Wall storage cabinet	156" X 24" X 36"	To be made of minimum 1 mm MS steel sheet (powder coated). Fitted with PP handle, bolts, magnets etc. whichever required. Details given in <b>Annx - 3</b>	2		
4	Sink with 3way tap	36" X 24"	Laboratory grade Stainless steel sink with coupling and hose. One no. 3 way tap (2 straight+ one swan neck) , made of stainless steel or powder coated brass to be fitted	1		
			<b>TOTAL</b>			

(Rs ..... ) only

Date :

Signed :

Place :

(Signature with official seal of the bidder)

I /We have read the Part – A of the tender document and in agreement of all terms and conditions stated therein. If selected, we shall abide by all the terms and conditions stated therein and any violation of those terms and conditions shall make this tender cancelled.

Date :

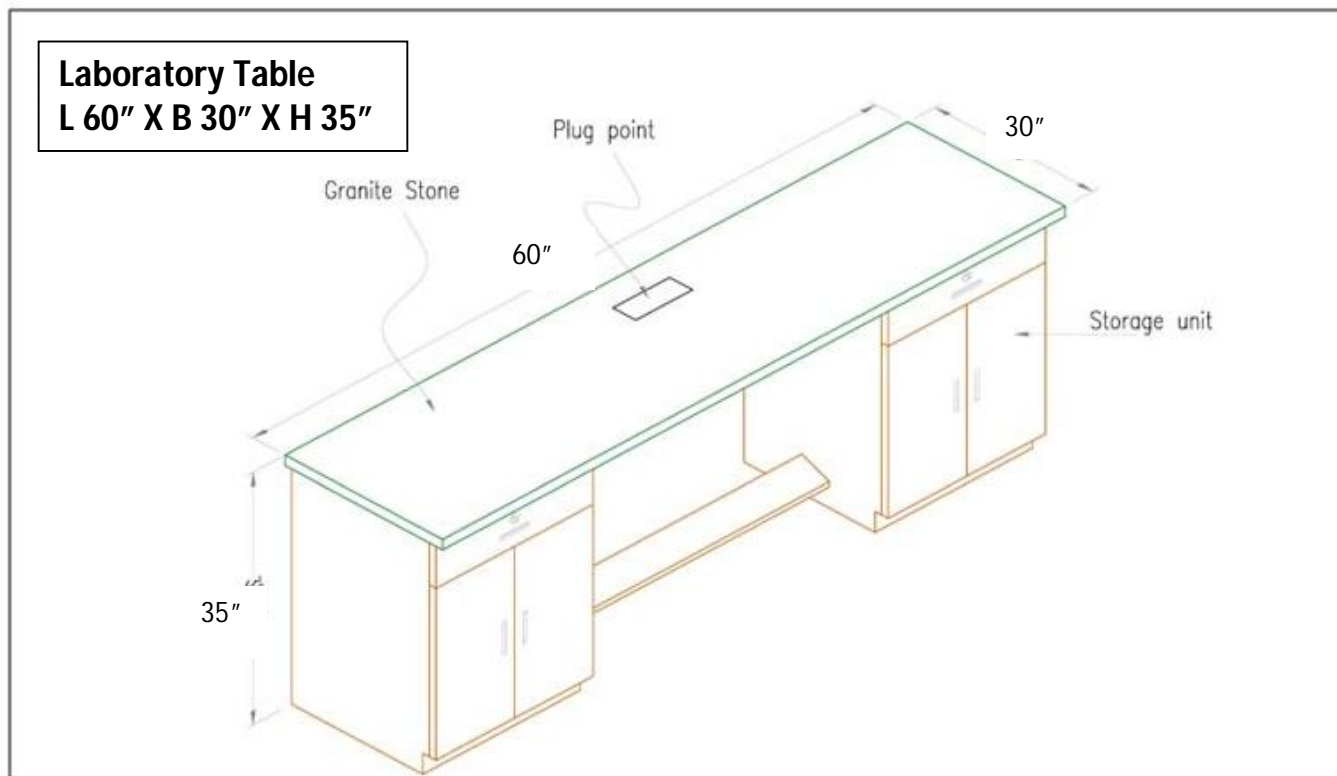
Signed

Place :

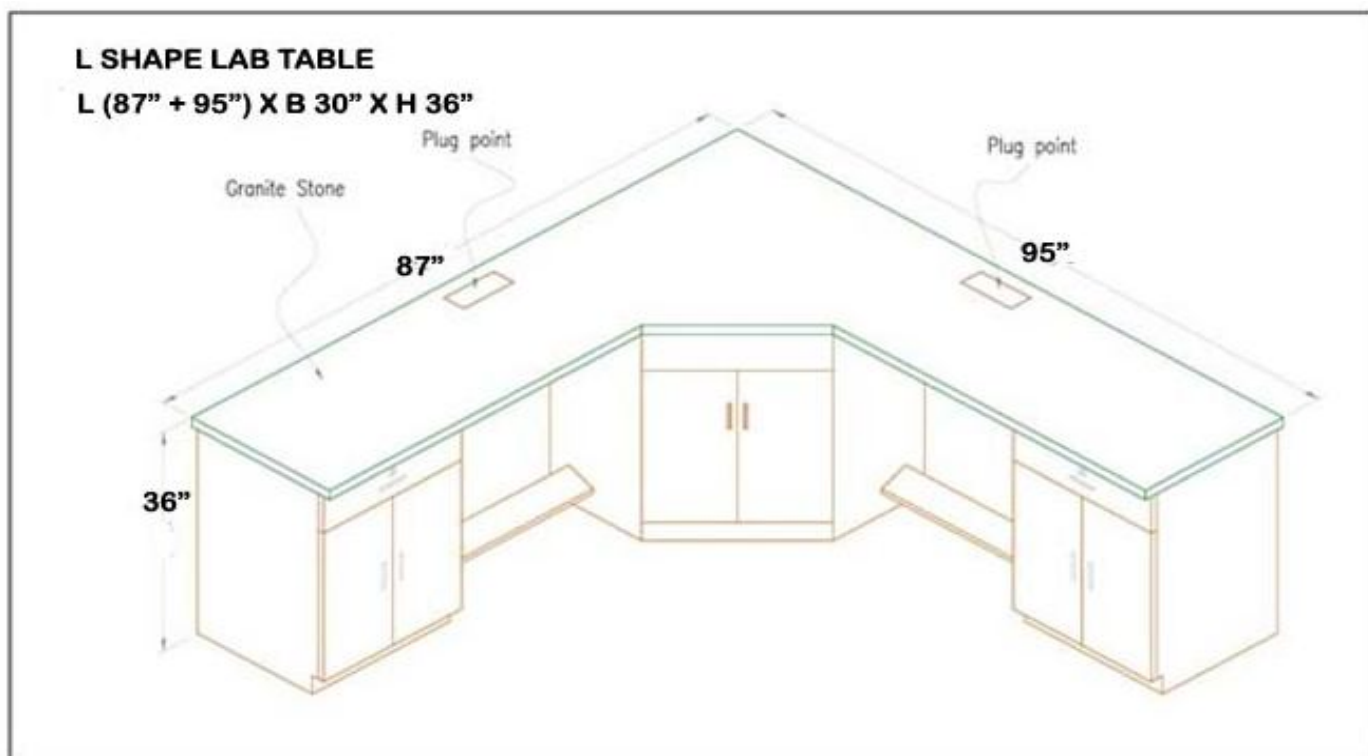
(Signature with official seal by bidder)

Director, JBNSTS

## LABORATORY TABLE



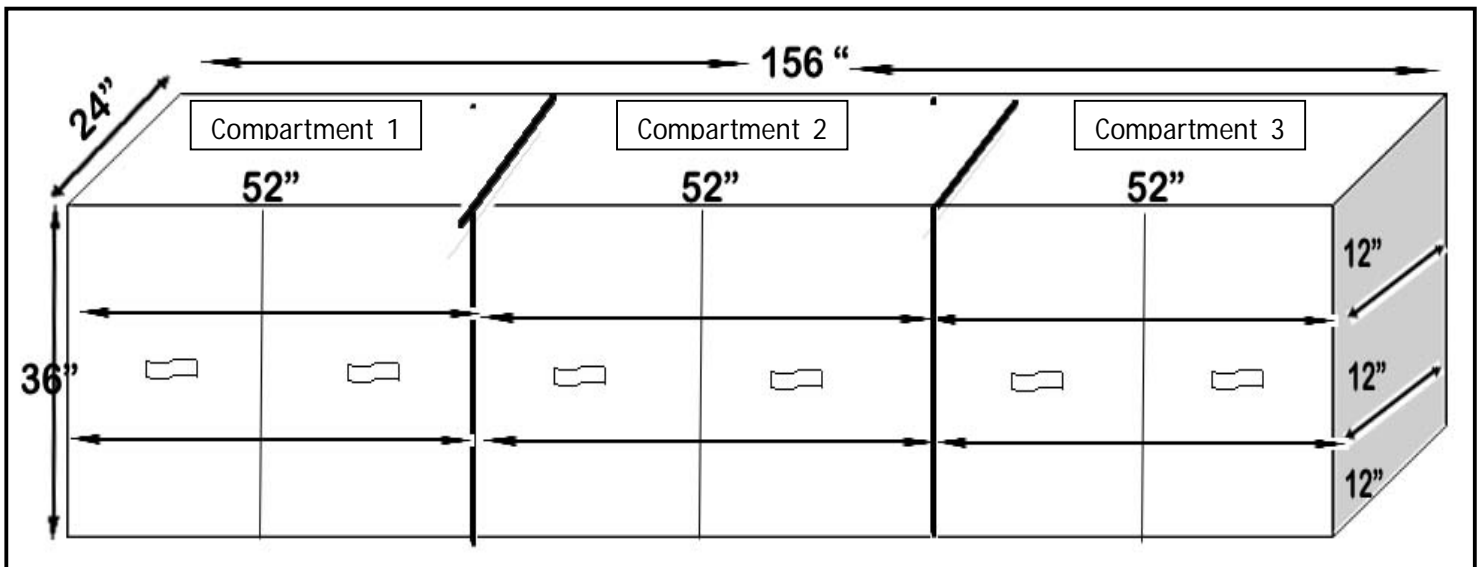
1. **Material** : Minimum 1 mm MS steel sheet (Modular type)
2. **Interior / Exterior finish including panels** : With high temperature and chemical resistant epoxy powder coating
3. **Bottom storage** : To be fitted with top drawer and one cabinet with two doors and one horizontal partition inside.
4. **Table top** : 18 mm thick well polished granite with half round nosing.
5. **Reagent rack** : 1 no. / table. Should be of modular concept with 2 tier storage facility. Horizontal shelves and end vertical support should be made of minimum 1 mm thick G.I sheet.
6. **Accessories** : All necessary hardware fittings like PP handle, heavy duty drawer channels, bolts with powder coating

**L shape LABORATORY TABLE**

1. **Material** : Minimum 1 mm MS steel sheet (Modular type)
2. **Interior / Exterior finish including panels** : With high temperature and chemical resistant epoxy powder coating
3. **Bottom storage** : To be fitted with top drawer and one cabinet with two doors and one horizontal partition inside.
4. **Table top** : 18 mm thick well polished granite with half round nosing.
5. **Reagent rack** : 1 no. Should be of modular concept with 2 tier storage facility. Horizontal shelves and end vertical support should be made of minimum 1 mm thick G.I sheet.
6. **Accessories** : All necessary hardware fittings like PP handle, heavy duty drawer channels, bolts with powder coating

### WALL STORAGE CABINET

WALL STORAGE CABINET  
(L 156" X B 24" X H 36" )



1. **Material** : Minimum 1 mm MS steel sheet (Modular type)
2. **Interior / Exterior finish including panels** : With high temperature and chemical resistant epoxy powder coating
3. **Storage** : 3 (Three) compartments of equal length. Inside 2 (two) horizontal partitions creating three racks of 12" each. The heights of the racks should be adjustable.
4. **Door** : Double door on each compartment.
6. **Accessories** : PPP handle ,lock, tower bolt, magnet etc. whichever necessary.

**(FORMAT OF COVERING LETTER. TO BE PRINTED / TYPED ON OFFICIAL LETTERHEAD OF THE BIDDER AND SUBMITTED WITH PART - B OF THE TENDER)**

The Director  
Jagadis Bose National Talent Search  
1300, Rajdanga Main Road  
Kasba  
Kolkata – 700107

Ref. no. :

Date :

Madam

This has reference to your N.I.T no. JB/Bldg. furniture/17-18/06 dated July 12, 2017 for supplying laboratory furniture at your office at 1300, Rajdanga Main Road, Kolkata – 700107.

Accordingly, we are submitting herewith our lowest possible offer for the same with necessary documents. We have read Part – A of the tender document and if selected, agree to be fully bound by the terms and conditions stated therein .

Thanking you

Yours faithfully

(Signature with official seal of the bidder)